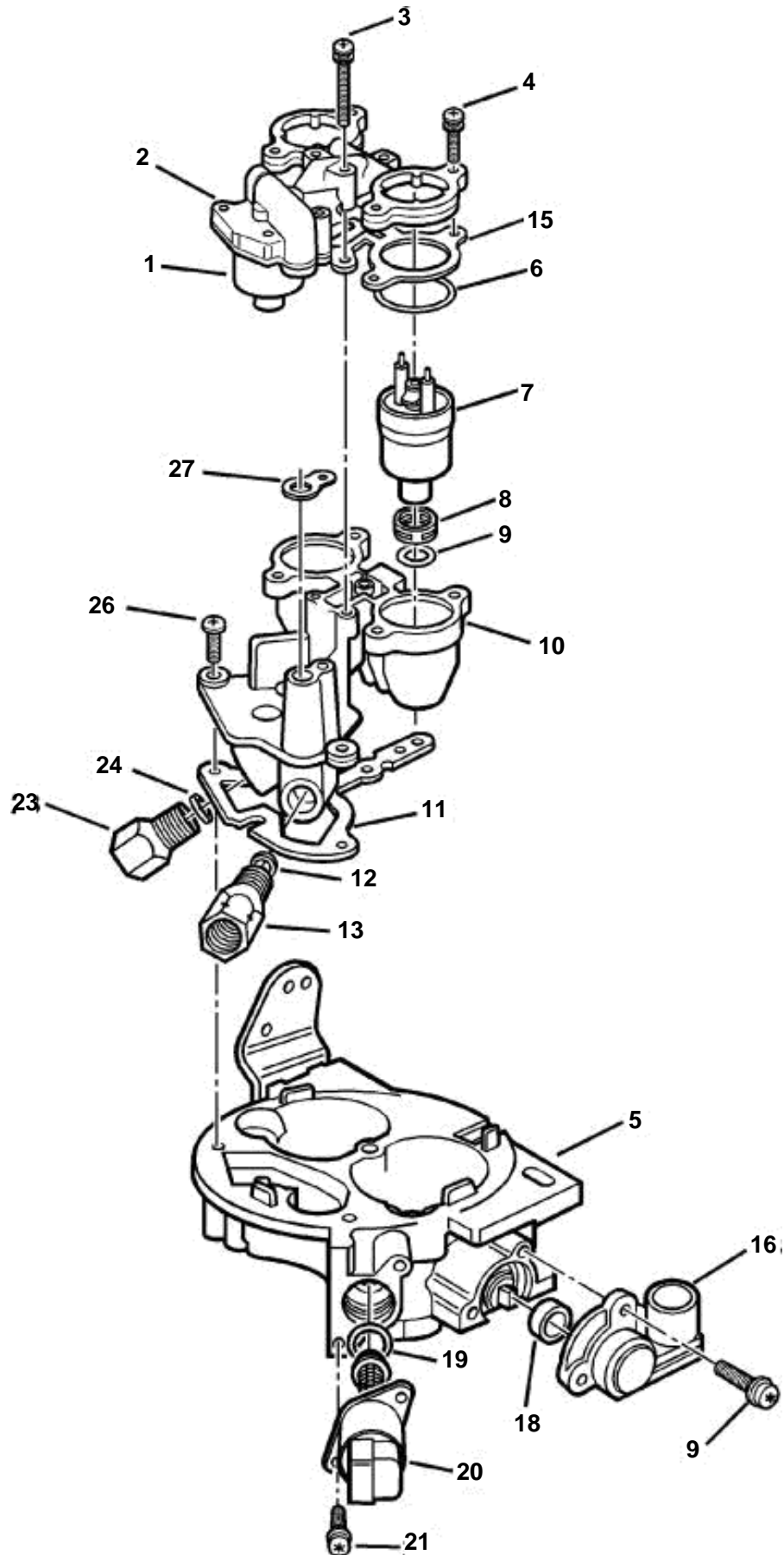


THROTTLE BODY INJECTION



THROTTLE BODY INJECTION

REF	PART NO.	QTY	DESCRIPTION	NOTES
1		1	REGULATOR, Fuel pressure	TBI assy is only serviceable by the kits listed below.
2		1	COVER, Fuel meter	
3		3	SCREW, Cover, long	
4		5	SCREW, Cover, short	
5		1	THROTTLE BODY	
6		2	O-RING, Fuel injector, upper	
7		2	FUEL INJECTOR	
8		2	FILTER, Fuel injector inlet	
9		2	O-RING, Fuel injector, lower	
10		1	BODY, Fuel meter	
11		1	GASKET, Throttle body to fuel meter body	
12		1	GASKET, Fuel outlet nut	
13		1	NUT, Fuel outlet	
15		1	GASKET, Cover, fuel meter	
16		1	THROTTLE POSITION SENSOR	
17		2	SCREW, Throttle position sensor	
18		1	SEAL, Throttle position sensor	
19		1	O-RING, IAC valve	
20		1	IDLE AIR CONTROL (IAC) VALVE	
21		2	SCREW, IAC valve	
23		1	NUT, Fuel inlet	
24		1	GASKET, Fuel inlet nut	
26		3	SCREW, Fuel meter body to throttle body	
27		1	GASKET, Fuel meter outlet	
	3855179	1	Repair kit, 6, 8, 9, 11, 15, 19, 24, 27	
	3855180	1	Repair kit, 1, 2, 3, 4, 6, 7, 8, 9, 10, 15	
	3855181	1	Repair kit, 1, 2, 15, 27	
	3855182	1	Injector, 6, 7, 8, 9, 11, 15, 27	
	3855183	1	Throttle body, Base assembly package	
	3855184	1	Repair kit, 16, 18	
	3855185	1	Repair kit, 19, 20	
	3855186	1	Repair kit, 12, 13, 23, 24	
	3855187	1	Repair kit, 3, 4, 18, 21, 26	
	3855188	1	Repair kit	
	3855189	1	Repair kit, 6, 8, 9, 15, 27	